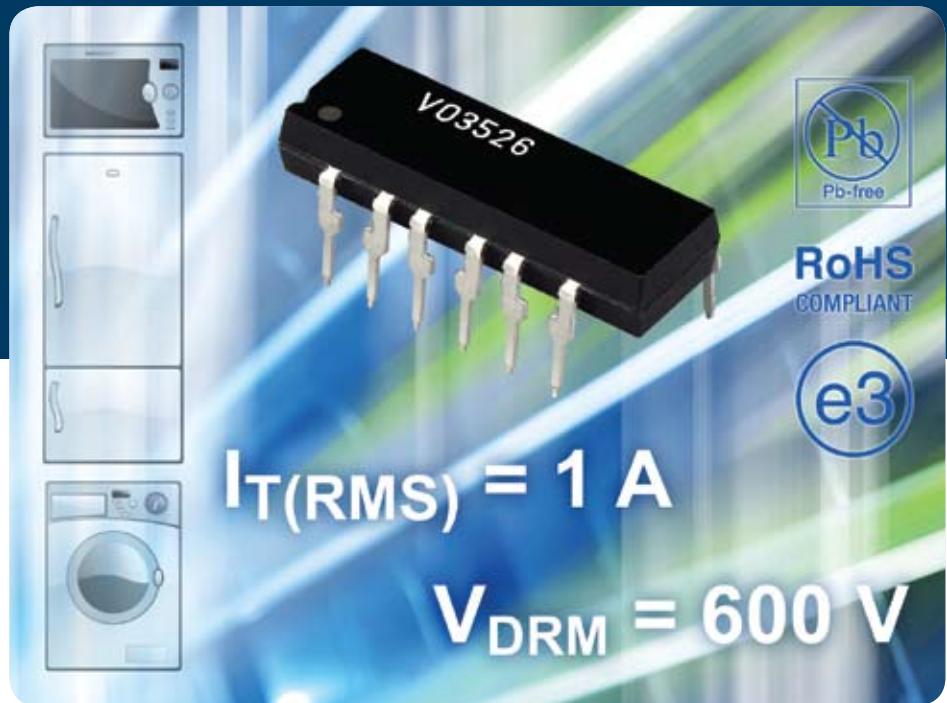




OPTOCOUPLERS

VO3526



Integrated Power Phototriac with Load Current of 1 A

FEATURES

- 1-A output current
- Non-zero crossing integrated power phototriac
- dV/dt of 500 V/ μ s minimum
- Trigger current of 10 mA
- Blocking voltage of 600 V
- Ambient operating temperature from $-40\text{ }^{\circ}\text{C}$ to $+85\text{ }^{\circ}\text{C}$

BENEFITS

- Low input trigger current allows direct interface with digital logic
- Crosses to industry-standard power phototriac
- Component in accordance to RoHS 2002/95/EC and WEEE 2002/96/EC
- Does not require a heat sink

Integrated Power Phototriac with Load Current of 1 A

SAFETY

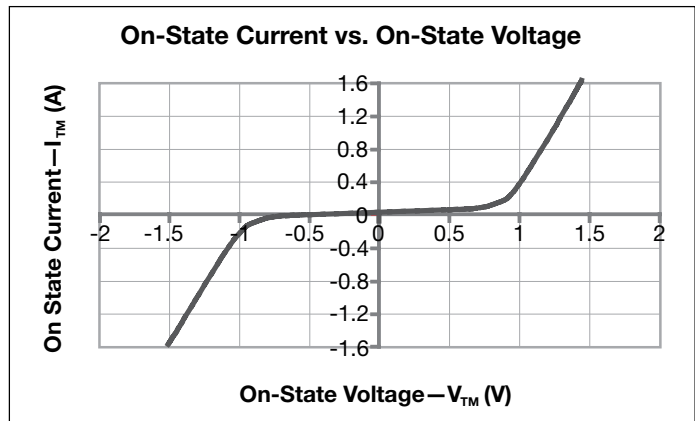
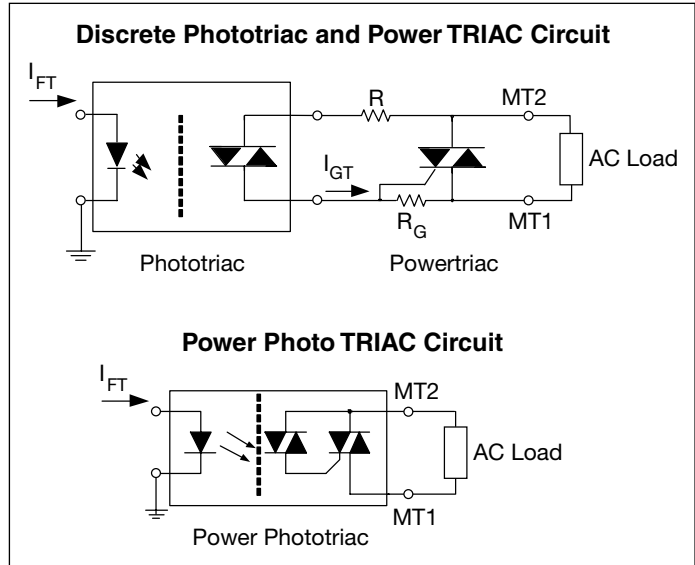
- Certified by key international safety regulatory agencies such as UL, CUL, and VDE

APPLICATIONS

- Household appliances
- AC motor drives
- Solenoid and valve controls
- Office automation equipment
- Temperature (HVAC) and lighting controls

The new VO3526 integrated non-zero-crossing power phototriac with dV/dt of $500 \text{ V}/\mu\text{s}$ complements Vishay's existing broad phototriac offering, which includes devices with the highest dV/dt rating in the industry at $10 \text{ kV}/\mu\text{s}$ (IL410 Series).

The VO3526 is designed for applications where load current is limited to 1 A. The device's integration eliminates the need for an external power TRIAC, resulting in lower design costs while saving board space.



Non-Zero Cross Power Phototriac

I_{FT} Trigger Current	Crossing Type	Product
10 mA	NZC	VO3526

DISCLAIMER All product specifications and data are subject to change without notice. Vishay Intertechnology, Inc., its affiliates, agents, and employees, and all persons acting on its or their behalf (collectively, "Vishay"), disclaim any and all liability for any errors, inaccuracies or incompleteness contained herein or in any other disclosure relating to any product. Vishay disclaims any and all liability arising out of the use or application of any product described herein or of any information provided herein to the maximum extent permitted by law. The product specifications do not expand or otherwise modify Vishay's terms and conditions of purchase, including but not limited to the warranty expressed therein, which apply to these products. No license, express or implied, by estoppel or otherwise, to any intellectual property rights is granted by this document or by any conduct of Vishay. The products shown herein are not designed for use in medical, life-saving, or life-sustaining applications unless otherwise expressly indicated. Customers using or selling Vishay products not expressly indicated for use in such applications do so entirely at their own risk and agree to fully indemnify Vishay for any damages arising or resulting from such use or sale. Please contact authorized Vishay personnel to obtain written terms and conditions regarding products designed for such applications. Product names and markings noted herein may be trademarks of their respective owners.